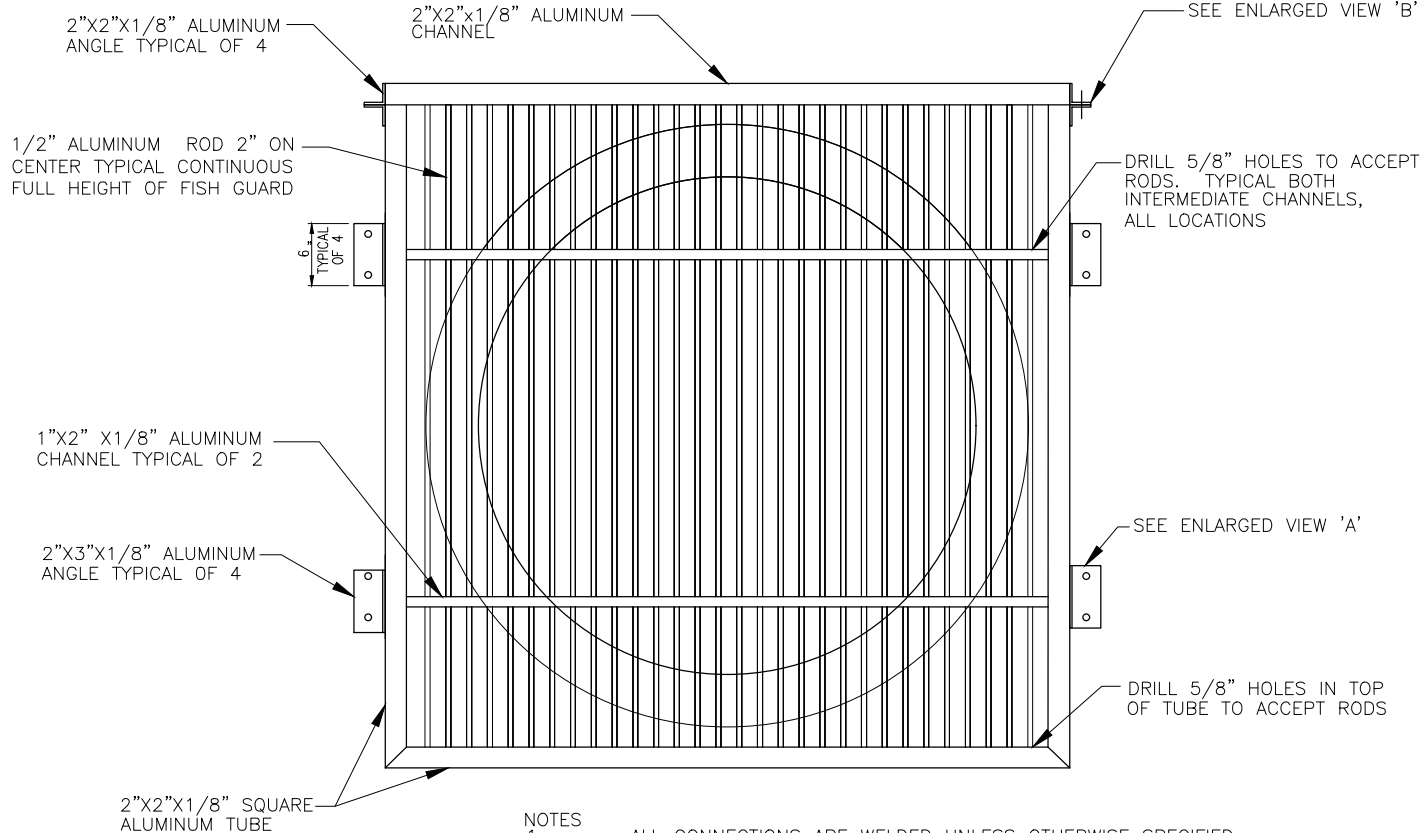
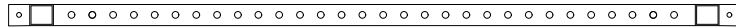
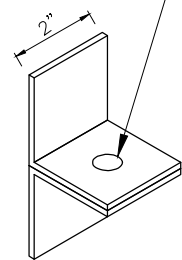


FOR CLARITY, THIS TOP VIEW IS SHOWN WITHOUT THE 2"x2" ALUMINUM TUBE IN PLACE.



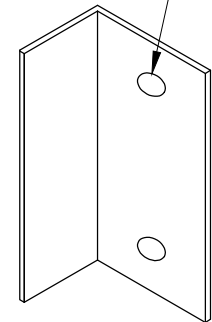
5/16" HOLE FOR 1/4" STAINLESS STEEL BOLT AND NUT



ENLARGED VIEW 'B'



9/16" HOLE FOR 1/2" STAINLESS STEEL ANCHOR



ENLARGED VIEW 'A'

NOTES

1. ALL CONNECTIONS ARE WELDED UNLESS OTHERWISE SPECIFIED.
2. TOP OF GUARD TO BE 6" BELOW TOP OF HEADWALL.
3. HEIGHT OF GUARD VARIES DEPENDING ON DISTANCE FROM PIPE INVERT TO TOP OF HEADWALL.
4. DO NOT DRILL HOLES FOR RODS THROUGH TOP CHANNEL.

