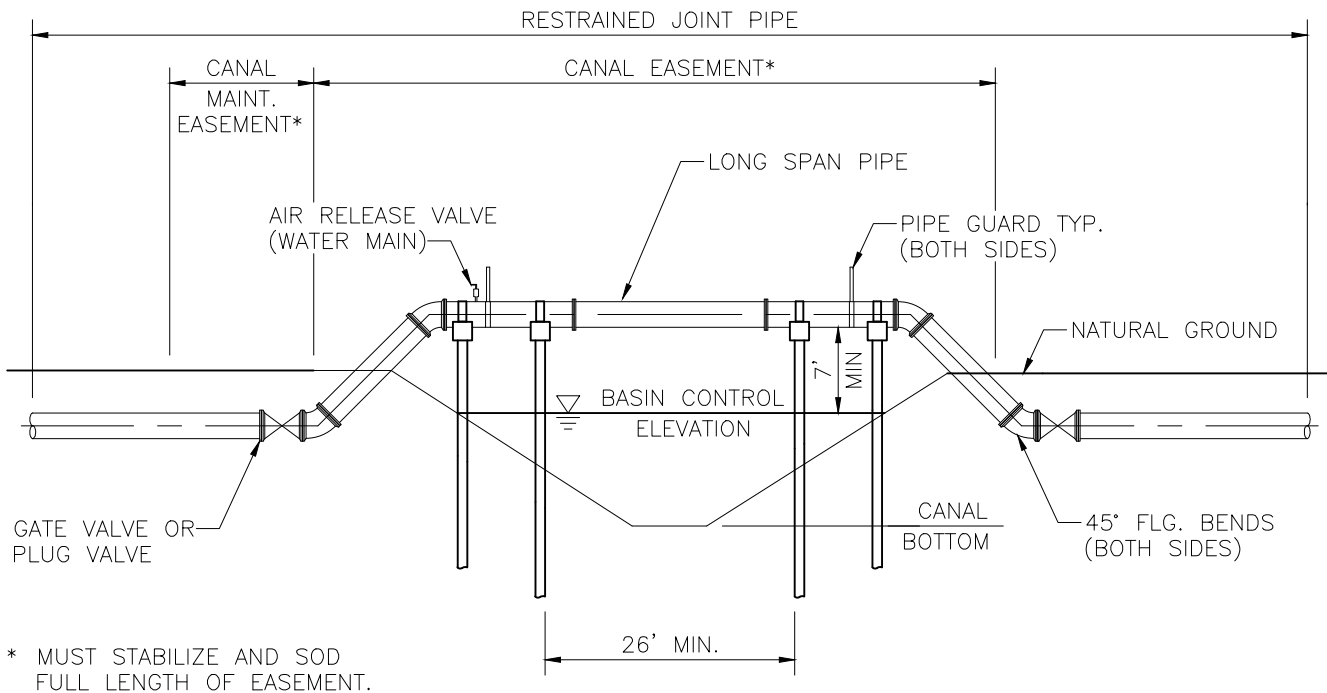


SUBAQUEOUS WATER & SEWER CROSSING



AERIAL WATER & SEWER CROSSING

37

EXHIBIT



SEAL

SOUTH BROWARD DRAINAGE DISTRICT
DESIGN CRITERIA MANUAL

EXHIBIT TITLE

UTILITY CROSSING DETAIL
AERIAL AND SUBAQUEOUS